



WG4GSKT Appliance Replacement Gasket Installation Sheet

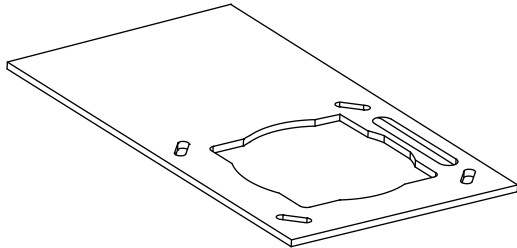
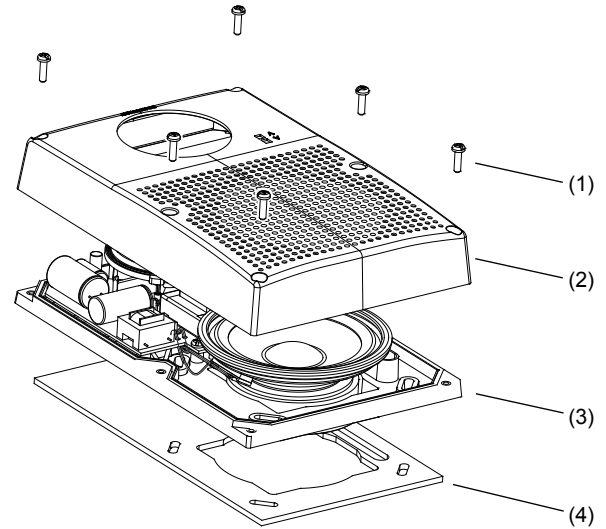


Figure 1: Installation



- (1) Cover screws (6X)
- (2) Front cover
- (3) Typical WG4 appliance backplate
- (4) WG4GSKT gasket

Description

The WG4GSKT Appliance Replacement Gasket is a replacement gasket for the Genesis WG4 series notification appliances.

Installation

Install this device in accordance with applicable requirements and in accordance with the local authorities having jurisdiction.

WARNING: Electrocutation hazard. To avoid personal injury or death from electrocution, remove all sources of power and allow stored energy to discharge before installing or removing equipment.

To replace the gasket:

1. Remove the cover from the WG4 appliance by removing the six cover screws. See Figure 1, item 1.
2. Disconnect the field wiring at the terminal block.
3. Remove the four screws holding the backplate, and then lift it off of the optional trim skirt or electrical box.
4. Remove and discard the existing gasket.
5. Position the WG4GSKT gasket over the backplate, ensuring that the wire slot and other holes line up properly.

Remove the protective backing from the gasket surface and carefully apply the gasket to the WG4, with the adhesive side towards the appliance.

Press the gasket firmly against the back surface of the appliance so that the gasket seats properly.

Note: Apply the WG4GSKT against a clean and dry appliance only.
6. Align the wire slot in the gasket with the wire slot on the appliance.
7. Feed the field wiring through the wire slot on the backplate.

Place the backplate over the electrical box or optional trim skirt, and then secure it with the four screws.
8. Reconnect the field wiring.
9. Position the cover over backplate and secure it with the six cover screws.
10. Test the unit for proper operation.

Specifications

Dimensions W × H × D	4.63 × 8.25 × 0.13 in. (117 × 210 × 3 mm)
Operating environment	Refer to the appliance installation sheet

Contact information

For contact information, see www.edwardsfiresafety.com.